



## HF/PFC Battery Charger

## Electric Vehicle Battery Charger

- Advanced high frequency switching design and 90% typical efficiency
- Wide range AC input (85 - 265 VAC)
- Fully sealed enclosure - improved reliability in demanding environments
- 0.99 power factor - minimize utility surcharges and maximize use of AC power
- Latest battery charge algorithms for quick and accurate charging (default  $I_1, I_2, U, I_{3a}$ )

### QuiQ HF/PFC Battery Charger Specifications

subject to change without notice

	QuiQ 2425	QuiQ 3621	QuiQ 4218	QuiQ 4818	QuiQ 7212
<b>Output</b>					
DC Output Voltage - nominal	24V	36V	42V	48V	72V
DC Output Voltage - maximum	33.6V	50.4V	58.8V	67.2V	100V
DC Output Current - maximum	25A	21A	18A	18A	12A
Interlock Current - maximum	20A	5A	3A	2A	1A

#### Input

AC Input Voltage	85-265VAC (derated output current with <108VAC)
AC Input Voltage - nominal	120VAC / 230VAC rms
AC Input Frequency	45-65 Hz
AC Input Current - maximum	12A rms @ 108VAC
Inrush Current - maximum	4A peak
AC Power Factor	>0.99

#### Operation

AC Power Indicator	Yellow LED
80% Charge Indicator	Yellow LED
100% Charge Indicator	Green LED
Fault Indicator	Red LED
DC Ammeter	Yellow LED bargraph (6 level)
External Temperature Sensor	Automatic, incorporated into output connector

#### Protection

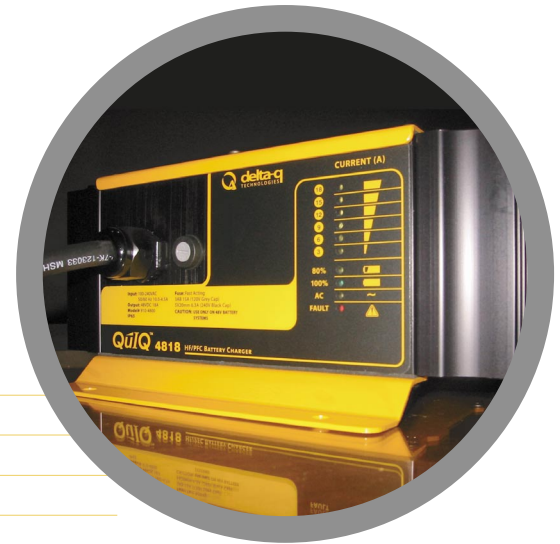
Output Reverse Polarity	Electronic protection - auto reset
Output Short Circuit	Electronic protection - auto reset
AC Overload	Current limited
AC Fuse	3AB 15A or 5x20mm 6.3A fast acting
DC Overload	Current limited
Battery Pack	Over/under voltage shutdown
Over-Temp	Thermostatically controlled output current

#### Mechanical

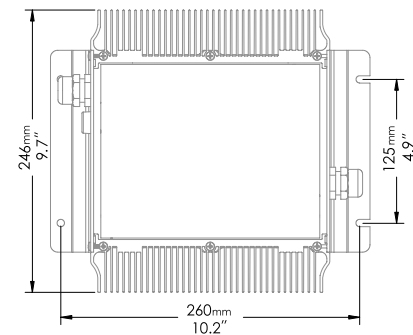
Dimensions	28.0cm x 24.5cm x 11.0cm (11" x 9.7" x 4.3")
Weight / Shipping Weight	<4.8kg (<10.5 lbs.) / 5.3kg (11.7 lbs.)
Ingress Protection	IP 46 NEMA 4 Type 4
Operating Temperature	-30°C to +50°C (-22°F to 122°F) derated output current T>30°C
Storage Temperature	-40°C to +70°C (-40°F to 158°F)
Housing	Shock and water resistant aluminum
Connection: DC	2m 12 AWG cable with 5/16" ring terminals
Connection: AC	IEC 320/C14 (>1.8m localized powercord required)

#### Regulatory (UL, CSA, CE)

Safety:	UL1564 (2nd Ed.) / CSA C22.2 No.107.2-01 / EN60335-1, 2-29
Emissions:	FCC Part 15 Subpart B / ICES003 / EN55011: Class A; EN61000-3-2/3
Immunity:	EN61000-4-2/3/4/5/6/11



QuiQ and the Power in Motion slogan are trademarks of Delta-Q Technologies Corp. Copyright © 2003 Delta-Q Technologies Corp.



For more information contact:

Delta-Q Technologies Corp.  
Unit 3, 5250 Grimmer Street  
Burnaby, BC V5H 2H2  
Canada

tel: 604.327.8244  
fax: 604.327.8246  
email: info@delta-q.com  
www.delta-q.com



Power in Motion